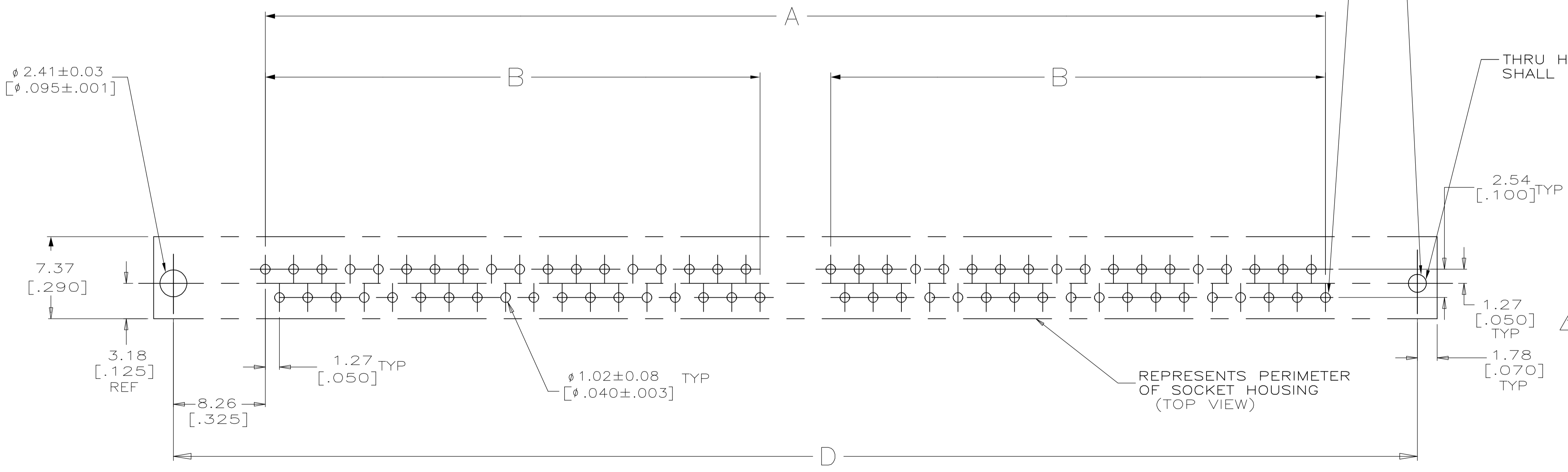
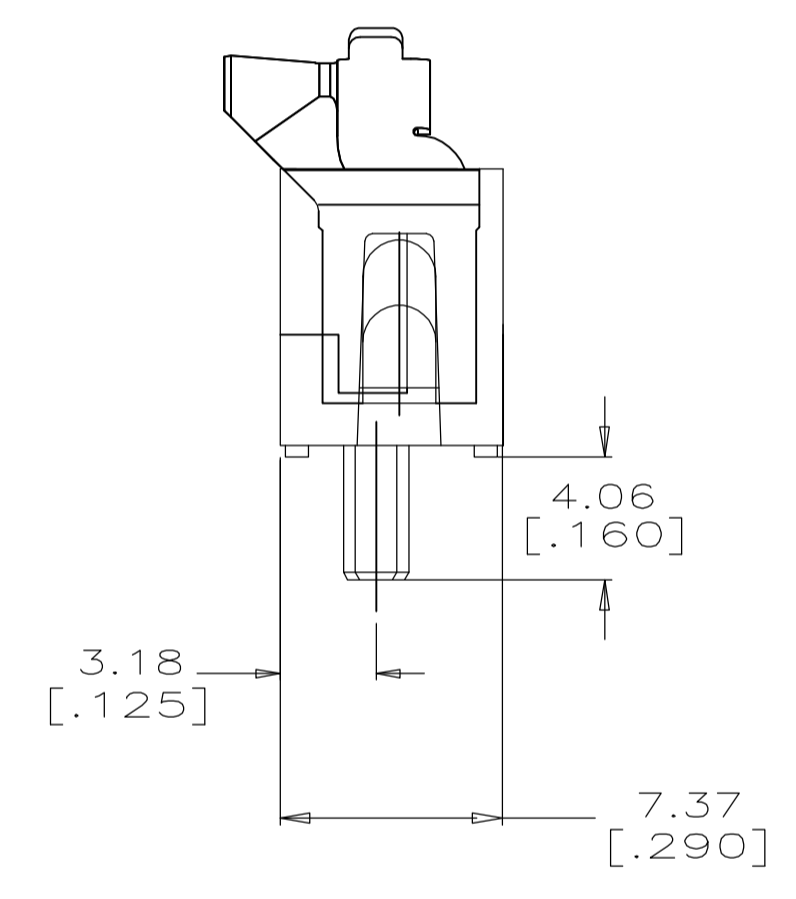
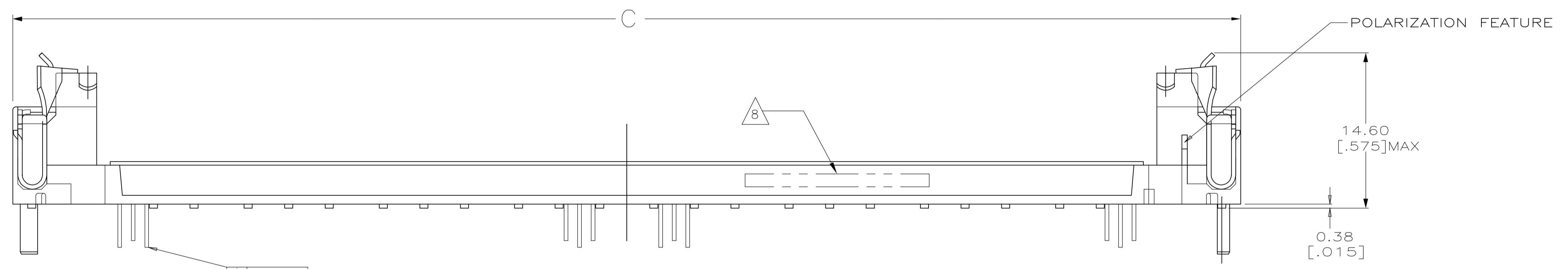
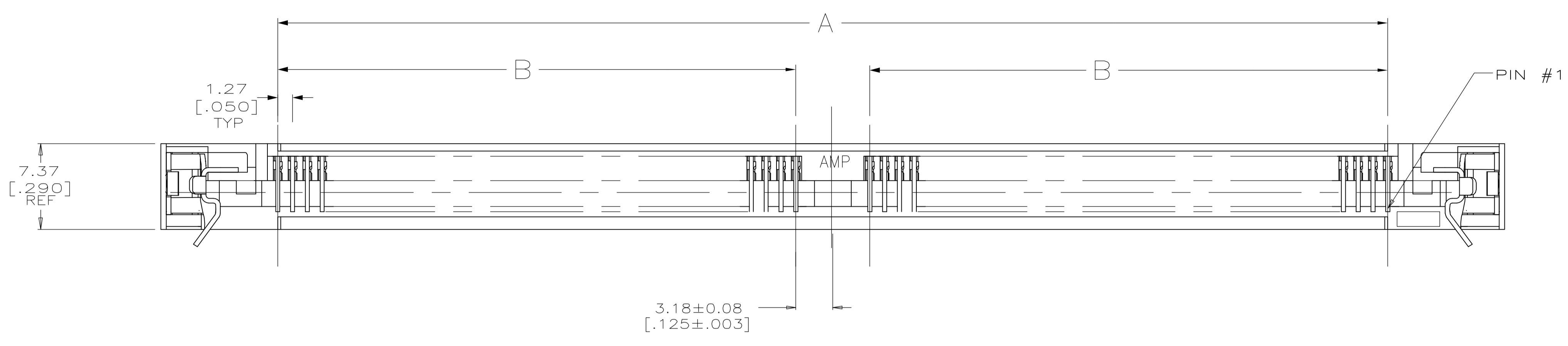


- ① HOUSING-MATERIAL: LIQUID-CRYSTAL-POLYMER.
- ② CONTACT-MATERIAL: PHOS. BRONZE, AMP 100-255.
- ③ LATCH-MATERIAL: BRASS, AMP 100-86 NICKEL PLATE 0.00127[.000050] MIN PER AMP SPEC 112-25-1.
- ④ CONTACT-PLATE: 0.00508[.000200] MIN. TIN/LEAD OVER 0.00127[.000050]MIN NICKEL.
- 5. IN ADDITION TO THOSE RECOMMENDED "SIMM" P. C. BOARD DIMENSIONS AND TOLERANCES SHOWN, ALL JEDEC SPECIFICATIONS APPLY AS SHOWN ON MO-116, ISSUE A.
- 6. RECOMMENDED MATING S.I.M.M. TAB METALLURGY: BASE METAL-COPPER. PLATING TO BE 0.00762[.000300] MIN TIN/LEAD OVER 0.00127[.000050] MIN NICKEL.
- ⑦ PACKAGED IN TUBES.
- ⑧ DATE CODE: (YEAR WEEK) XXXX FORMAT, LOCATED APPROXIMATELY AS SHOWN ON OPPOSITE SIDE.



⑦ OBSOLETE	111.76[4.400]	115.32[4.540]	44.45[1.750]	95.25[3.750]	72	2-822019-4
⑦ OBSOLETE	121.92[4.800]	125.48[4.940]	49.53[1.950]	105.41[4.150]	80	822019-5
	111.76[4.400]	115.32[4.540]	44.45[1.750]	95.25[3.750]	72	822019-4
⑦ OBSOLETE	106.68[4.200]	110.24[4.340]	41.91[1.650]	90.17[3.550]	68	822019-3
⑦ OBSOLETE	101.60[4.000]	105.16[4.140]	39.37[1.550]	85.09[3.350]	64	822019-2
⑦ OBSOLETE	71.12[2.800]	74.68[2.940]	24.13[.950]	54.64[2.150]	40	822019-1
	D	C	B	A	NO. OF POS	PART NO

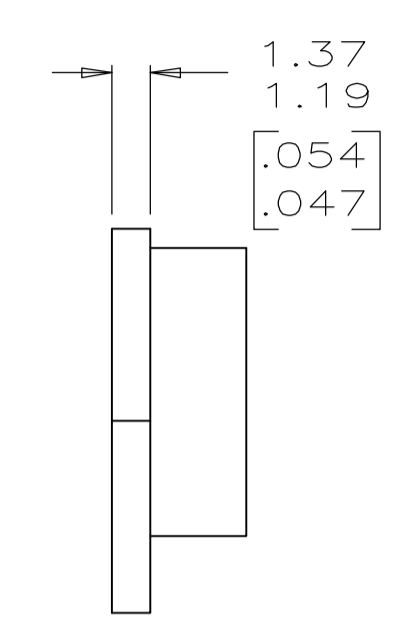
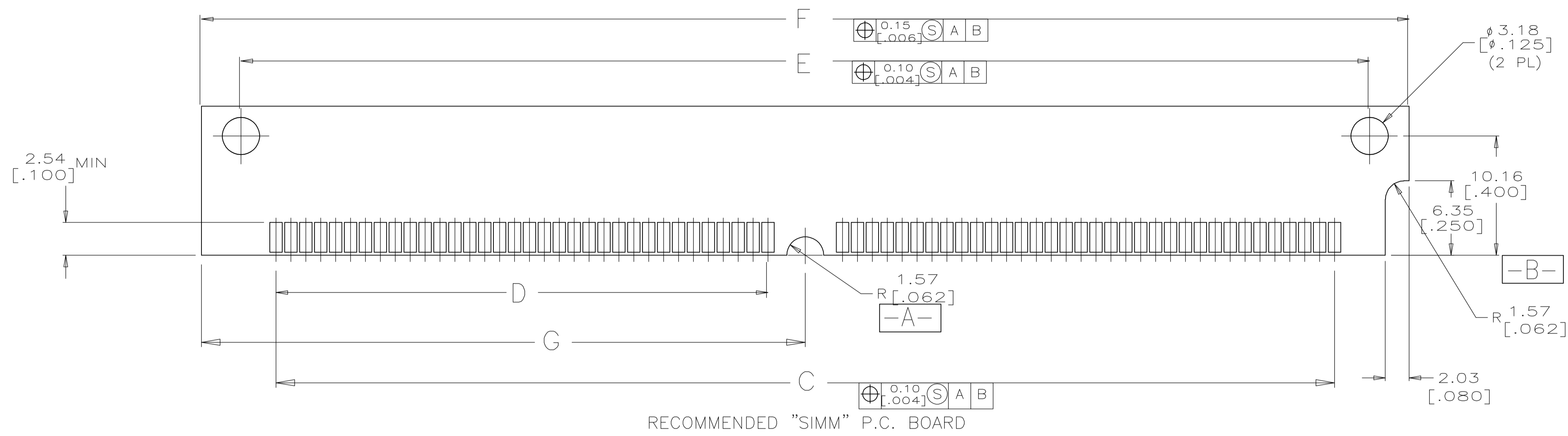
RECOMMENDED P.C. BOARD HOLE PATTERN  
 SOCKET SIDE

THIS DRAWING IS A CONTROLLED DOCUMENT.

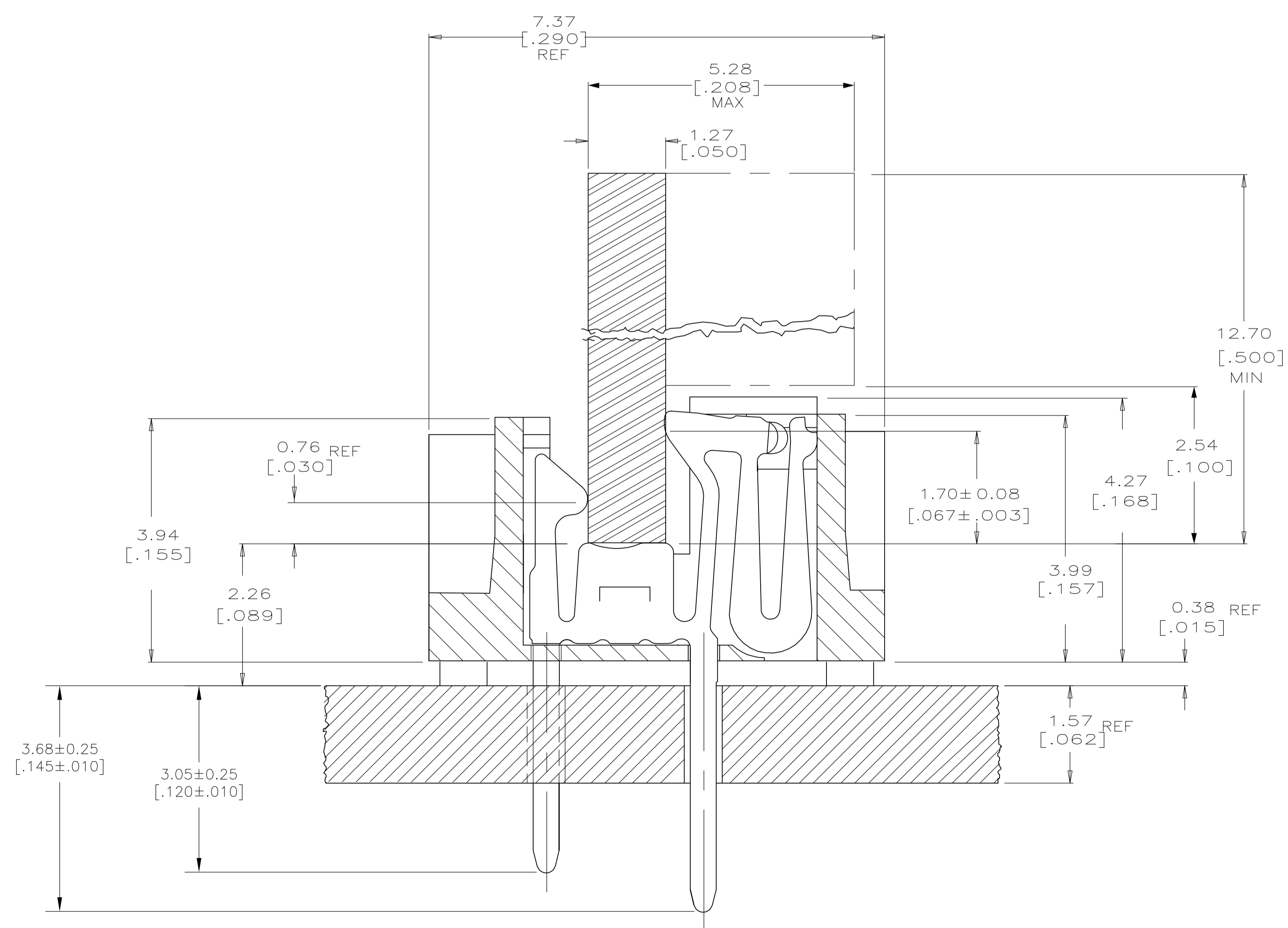
DIMENSIONS: mm [INCHES]	TOLERANCES UNLESS OTHERWISE SPECIFIED:	DIN S. WAITMAN SJANOS	tyco Electronics	Tyco Electronics Corporation Harrisburg, PA 17105-3608
0 PLC ± -	1 PLC ± -	2 PLC ± -	3 PLC ± 0.13[.005]	4 PLC ± -
ANGLES ± -	FINISH	APVD M.YFOMANS	NAME	RESTRICTED TO
MATERIAL	FINISH	PRODUCT SPEC	APPLICATION SPEC	SIZE
		WEIGHT	SCALE 4:1	SHEET 1 OF 2
		CUSTOMER DRAWING	DRAWING NO A1 00779	REV R

CONNECTOR, MICRO-EDGE, .050q VERTICAL TIN PLATE, METAL LATCH

822019



RECOMMENDED "SIMM" P.C. BOARD



SECTIONED THROUGH CONNECTOR ASSEMBLY

OBSOLETE	59.06[2.325]	118.11[4.650]	111.35[4.384]	49.53[1.950]	105.41[4.150]	80
	53.98[2.125]	107.95[4.250]	101.19[3.984]	44.45[1.750]	95.25[3.750]	72
OBSOLETE	51.44[2.025]	102.87[4.050]	96.11[3.784]	41.91[1.650]	90.17[3.550]	68
OBSOLETE	48.90[1.925]	97.79[3.850]	91.03[3.584]	39.37[1.550]	85.09[3.350]	64
OBSOLETE	33.66[1.325]	67.31[2.650]	60.55[2.384]	24.13[.950]	54.61[2.150]	40
	G	F	E	D	C	NO. OF POSN

RECOMMENDED "SIMM" P.C. BOARDS

THIS DRAWING IS A CONTROLLED DOCUMENT.

DIMENSIONS: mm [INCHES]	TOLERANCES UNLESS OTHERWISE SPECIFIED:	0 PLC ± -	1 PLC ± -	2 PLC ± -	3 PLC ± 0.13[.005]	4 PLC ± -	ANGLES ± -	FINISH SEE SHEET 1	WEIGHT -	SIZE A1	CAGE CODE 00779	DRAWING NO. 822019	RESTRICTED TO -
MATERIAL SEE SHEET 1		FINISH SEE SHEET 1		CUSTOMER DRAWING		SCALE 4:1		SHEET 2 OF 2		REV R			

tyco Electronics  
 Tyco Electronics Corporation  
 Harrisburg, PA 17105-3608

CONNECTOR, MICRO-EDGE, .050q  
 VERTICAL, TIN PLATE,  
 METAL LATCH